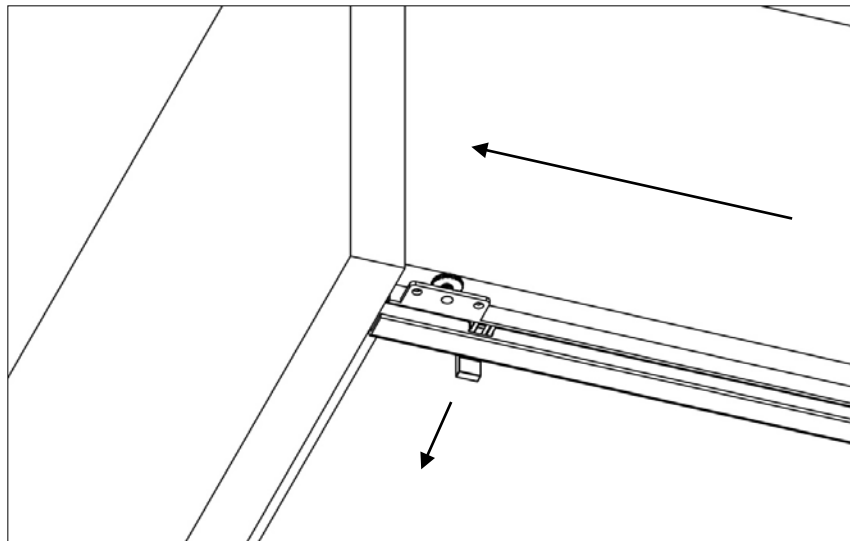


DRAWER REMOVAL INSTRUCTIONS

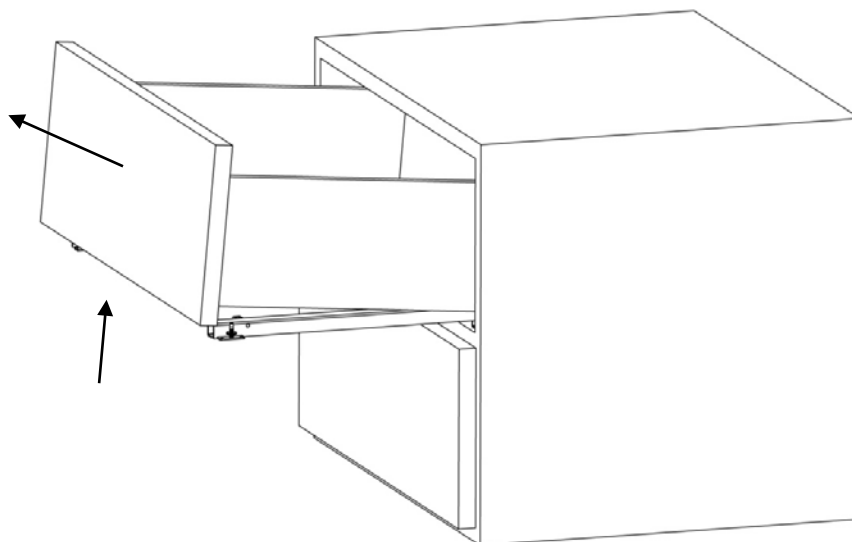
#1



Note:
Included in all dressers and
chests is a FURNITURE ANTI-
TIPPING RESTRAINT

To remove the drawer, pull the drawer out of the cabinet then loosen the plastic locking pins by pushing them towards the center of the drawer.

#2

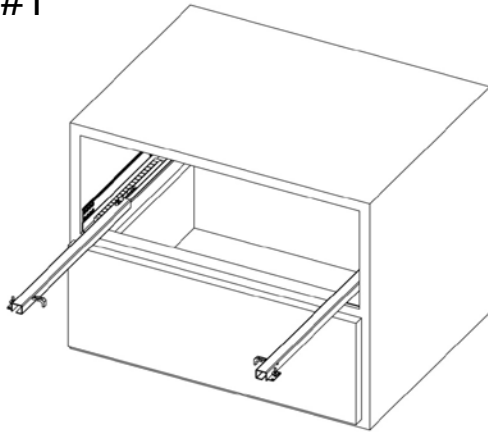


Lift drawer up from drawer glide and pull out.

Recommended Cleaning of Furniture: Soft Cloth
dampened with water only

DRAWER INSTALLATION INSTRUCTIONS

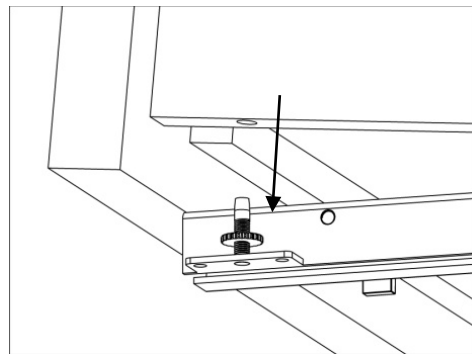
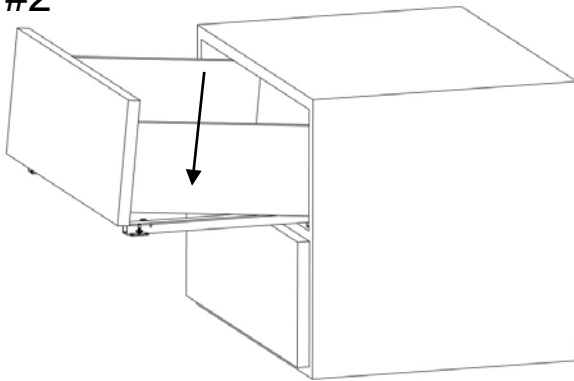
#1



Glides not available in Dover, Heritage, Laval and some Home Office cases.

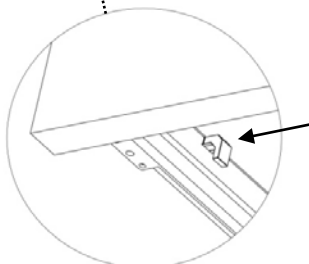
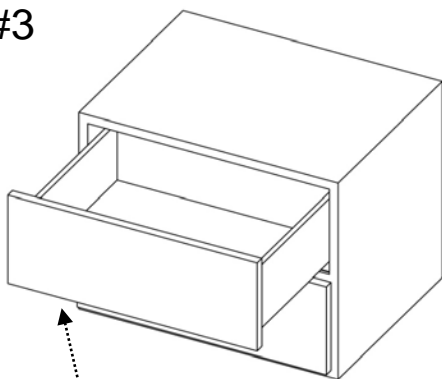
Pull the drawer glides out of the case. Loosen the plastic locking pins by pushing them towards the center of the drawer and ensure balancing nuts are in lowest position.

#2



Place drawer box on top of drawer glide; ensure the hole on drawer is mounted onto the pin of the glide. The pins at the rear of the tracks should align with holes in the back of the drawer box. The height of the drawer can be adjusted by turning the balancer on the pin.

#3



Insert the plastic locking pins once the drawer is mounted. Then push the drawer back into the case to complete the installation.

To Remove Knobs:
DO NOT twist from outside of drawer front. Use proper screw driver on INSIDE of drawer to avoid damage to the drawer front.