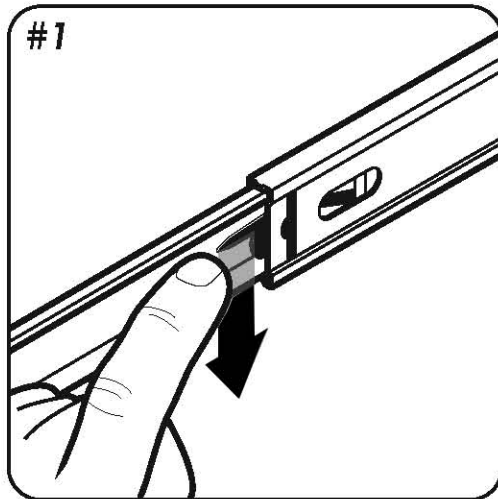


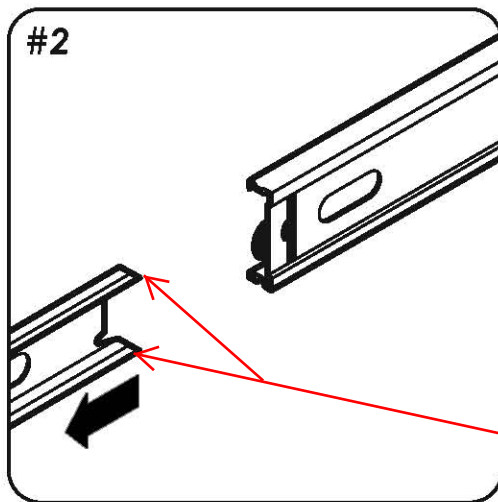
Drawer Removal Instructions

**Glides not available in Dover Series*



Move Drawer to full extension. Engage plastic release lever (up or down for opposite sides) located on both glides.

**For Drawers that
"POP OUT"**



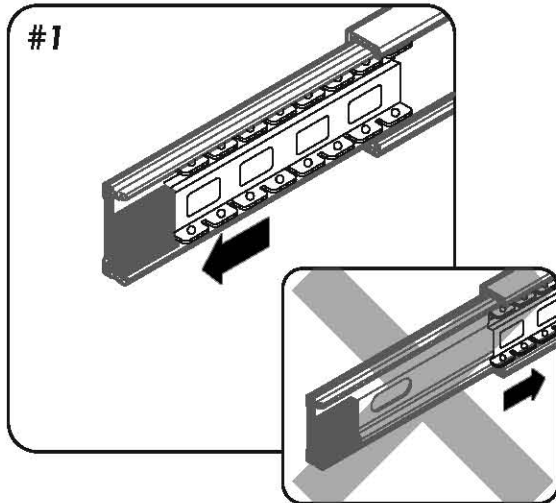
**Case Glide (roller bearings)
Mounted on Case**

**Using Pliers - gently
separate the prongs to
allow drawer to go farther
back**

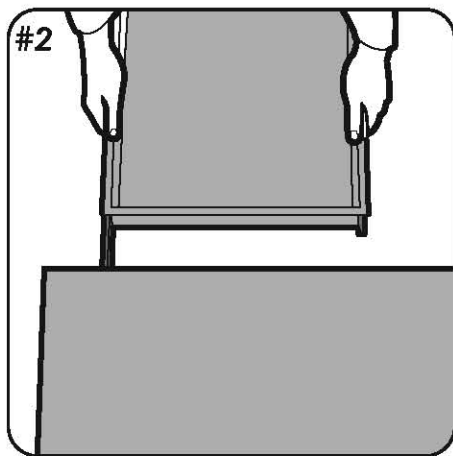
Drawer can be fully removed.

Installation instructions on back side...

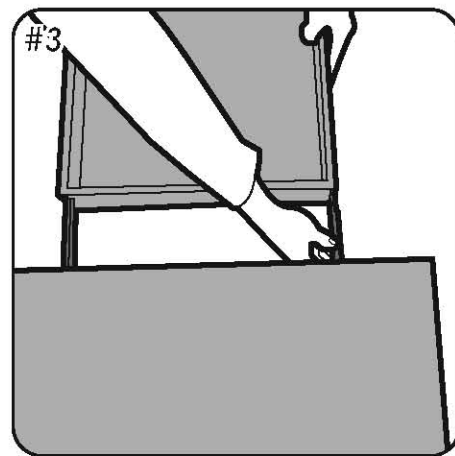
Installation



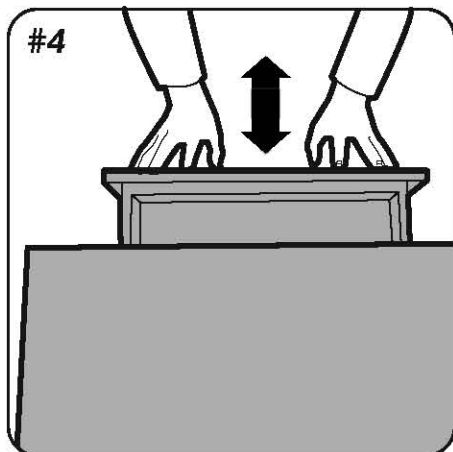
Ensure both ball bearing cages are located fully forward.



Slide drawer into one glide.



Slide glide onto drawer.



Press firmly. Several repetitions may be required.

*Drawers must be put back in the same order as taken out